

Sullivan Palatek

D210PHDZ - 250PDZ Portable Compressors Tier 4 Final



SmartEquip

FEATURES

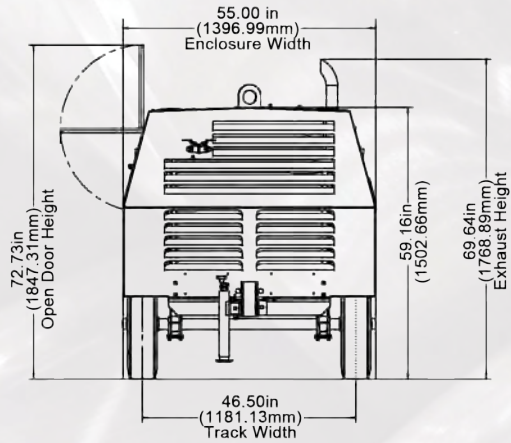
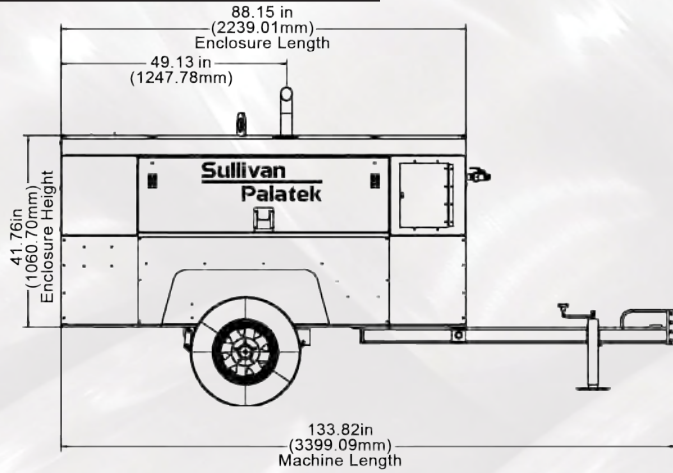
- 108mm Diameter Twin Screw Air End
- Exclusive Three Year Warranty On Air End
- Automatic 0 to 100% Capacity Control
- Two Stage Dry Type Air Filter - External Access
- Multiple Service Connections
- Oil Level Sight Gauge
- Side by Side Coolers for Compressor and Engine
- DEUTZ TD2.9L4 Tier 4
- Steel Fuel Tank
- Cooler Access Panel for Cleaning
- Safety Chains
- 15" Wheels & Tires
- Choice of Lunnette Eye or Ball Hitch on Height Adjustable Drawbar
- Large Full Length Tool Boxes in Each Side with Lockable Handles
- Galvanneal Enclosure
- Galvanized Wheel Wells and Internal Panels
- Easily Removable Upper Enclosure
- Automatic Shutdown and Protection System
- Automatic Blowdown Valve
- Stop, Turn and Tail LED Lights
- Unloaded Starting
- High-Low Selector Switch (210PH)
- Instrumentation Panel
 - Discharge Pressure Gauge
 - **NEW!** Sullivan-Palatek Electronic Controller (SPEC)
 - *Digital Readouts:*
 - Compressor temperature
 - Engine oil pressure
 - Engine temperature
 - Voltmeter
 - Tachometer
 - Fuel level - low fuel warning and shutdown
 - Complete engine diagnostic tool
 - Measurement converter
 - Multilingual capabilities
 - Waterproof up to six feet
- Optional Equipment
 - 3rd Wheel
 - Brakes
 - A-Frame Drawbar
 - Hose Reels

Dedicated to Quality & Committed to Support

TECHNICAL DATA

DIMENSIONS

Specifications subject to change without notice.



COMPRESSOR

D210PHDZ

D250PDZ

Type	Single Stage, oil flooded rotary screw	Single Stage, oil flooded rotary screw
Ambient Oper. Temp. Range	-20° to +125°F (-29° to +52°C)	-20° to +125°F (-29° to +52°C)
Oil Capacity	5.5 gal. (21 L)	5.5 gal. (21 L)
Total Receiver Volume	1.7 ft. ³ (48 L)	1.7 ft. ³ (48 L)
Air Service Connections	Two 3/4" NPT	Two 3/4" NPT
Type Cooling System	Oil to Air	Oil to Air
Type Air Intake System	Two Stage Dry	Two Stage Dry
Type of Control	0-100% Demand	0-100% Demand
Tire Size	ST 205/75D15 Hwy Tubeless	ST 205/75D15 Hwy Tubeless
Rated Delivery	210 cfm (5.9 m ³ /min)	250 cfm (7.1 m ³ /min)
Rated Operating Pressure	150 psig (10.3 Bar)	100 psig (6.9 Bar)
Operating Pressure Range	70-165 psig (4.8-11.3 Bar)	70-165 psig (4.8-11.3 Bar)
Estimated Weight, Serviced	2385 lbs	2385 lbs

ENGINE

D210PHDZ

D250PDZ

Type	Diesel	Diesel
Make	DEUTZ	DEUTZ
Model	TD 2.9L4 TIER 4 Final	TD 2.9L4 TIER 4 Final
Number of Cylinders	4	4
Bore and Stroke	3.6" x 4.3" (92 x 110mm)	3.6" x 4.3" (92 x 110mm)
Displacement	177in ³ (2.9 L)	177in ³ (2.9 L)
Total Oil Capacity	9 qts (8.5 L)	9 qts (8.5 L)
Cooling System Capacity	14 qts (13.2 L)	14 qts (13.2 L)
Battery Rating	12 Volts	12 Volts
CCA @ 0°F	800 Amps	800 Amps
Idle Speed	1650 RPM	1650 RPM
Fuel Tank Capacity	29 gal (109.8 L)	29 gal (109.8 L)
Horsepower @ rated RPM	74 HP	74 HP
Full Load Speed	2500 RPM	2400 RPM

**Sullivan
Palatek**

1201 W. US Highway 20 Tel: 219-874-2497
Michigan City, IN 46360 Tel: 800-438-6203
www.sullivanpalatek.com Email: info@palatek.com

